

LINEAR POLARIZATION RESISTANCE (LPR) PROBE

Request A Quote

MODEL 7012/7022



Features

- **Two Replaceable Electrodes**
- **Mounting — 3/4" NPT Adjustable**
- **Temp. Rating — +300° F / +150° C**
- **Pressure Rating — 500 PSI/3.4 Mpa**
- **Electrode Seal Material — Glass Reinforced Epoxy/Viton (Model 7012)
Glass/Viton (Model 7022)**
- **Fill Material - Epoxy**
- **Body Material - Stainless Steel**

The Model 7012/7022 Linear Polarization Resistance probe provides a more rugged construction and is ideal for plant use in a bypass rack where removal under pressure is not required. This probe employs two replaceable, identical electrodes which are mounted at the end of the probe by threaded, insulated studs. Two electrode probes are suitable for the majority of problems where LPR techniques are applicable. When monitored by "Solution Resistance Compensating"

instruments such as the LPR RDC, Aquamate™, or 9030 LPR Instrument, they may be used in low conductivity solutions (see Fig. 1 of the LPR probe Selection Guide). LPR probes are used by major companies worldwide to measure corrosion in water floods, cooling water loops and other aqueous systems and to provide control of inhibitor addition for optimum economy and corrosion protection. These probes may not be removed under system pressure.

COSASCO®

MODEL 7012/7022

Element Availability

UNS Number	Alloy	UNS Number	Alloy
K03005	Pipe Grade Carbon Steel	C11000	Copper 110 ETP
S30400	304 S.S.	C70610	Cu/Ni 90/10
S30403	304L S.S.	C44300	Ars. Ad. Brass CDA #443
S31600	316 S.S.	A91100	Aluminum 1100
S31603	316L S.S.	A92024	Aluminum 2024
N08020	Carpenter 20 Cb3	R50400	Titanium Gr2
N04400	Monel 400	060942	D.G.M. (Galvanic)
C71500	Cu/Ni 70/30		

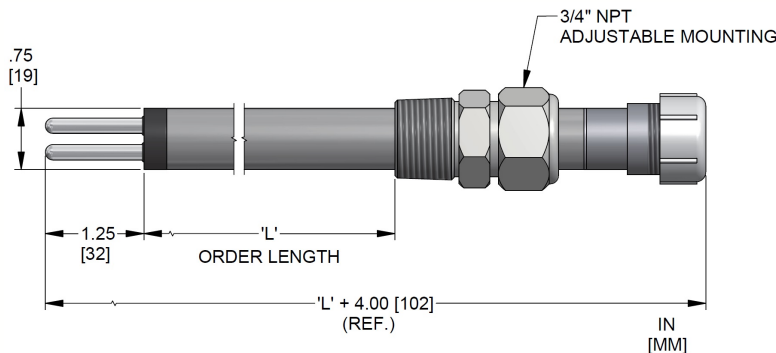
Table 1

All elements are furnished "as machined" unless otherwise specified. Exceptions are Mild Steel which is vacuum annealed.

LPR electrodes have been made of a great variety of materials and often, in the case of special alloys, from samples provided by the customer. To give correct results electrodes must be made from defect-free stock which has been properly machined. Please contact your Cosasco representative if the alloy of interest to you is not shown in the Alloy Table.

Electrodes are also available as individual sets with part number 060814 -XXXXXX, where XXXXXX is the UNS alloy number.

Dimensions



Ordering Information

Note: For high velocity process conditions it is recommended that Wake Frequency Calculations be performed – please contact a Cosasco representative for further details.

Model	Fixed NPT Adjustable Mounting LPR Probe Assembly	
7012	Complete probe assembly	
7022	Complete probe assembly	
	Code	Order Length
	0	Standard Length 5.0 inches/127 mm maximum insertion
	Code	Electrode Element Alloy: See Table 1
	XXXXXX	Enter UNS Number: Enter 0 if not required
7012	— 0 —	K03005 ← Example
7022	— 0 —	K03005 ← Example

Note: Electrodes are packaged separately to avoid damage to the surface.

Unit Weight: Probe Assembly: 3 lbs./1.36 kg

Cosasco
 11841 Smith Avenue
 Santa Fe Springs, CA 90670, USA
 Tel: 1-562-949-0123
 Email: sales@cosasco.com
 Web Site: www.cosasco.com

©Rohrbach Cosasco Systems, Inc. All rights reserved

The contents of this publication are presented for information purposes only, and while effort has been made to ensure their accuracy, they are not to be construed as warranties or guarantees, express or implied, regarding the products or services described wherein or their use or applicability. We reserve the right to modify or improve the designs or specifications of our products at any time without notice.

