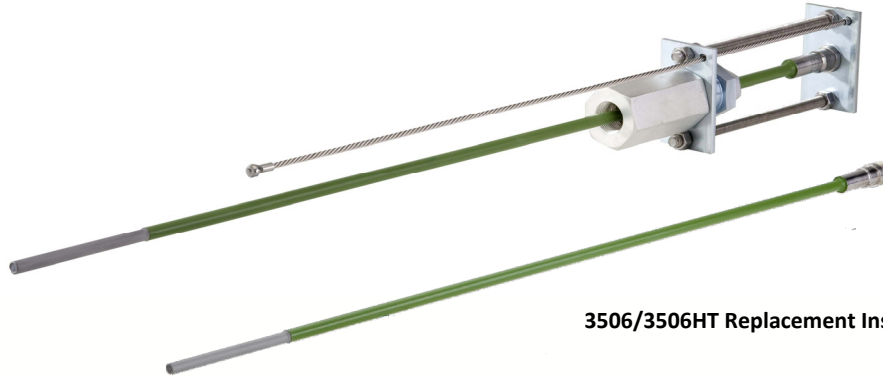


Electrical Resistance (ER) Probes

Request A Quote

MODEL 3504/3504HT
Small Diameter



3506/3506HT Replacement Insert

Features

- **Cylindrical Element**
- **Mounting - 3/4" Full Port Valve w/1/2" ID Minimum**
- **Temp. Rating for Model 3504 - +500° F / + 260° C**
- **Temp. Rating for Model 3504HT - +850° F / +454° C**
- **Pressure Rating - 1000 PSI / 6.9 MPa**
- **Element Seal Material — All Welded**
- **Fill Material - Ceramic**
- **Probe Body Material - As Element**

Model 3504 Retractable Process Electrical resistance Probes have a thin walled tubular sensing element made from the alloy of interest welded onto a body of the same material. Mild Steel bodies are Teflon coated. No other materials contact the corrosive process fluid. Materials of construction are carefully matched and welds are vacuum annealed during assembly to avoid preferential corrosion effects.

Model 3504 ER probes provide a large test surface, excellent dynamic temperature response and protection

of reference element. They are ideally suited to the more aggressive plant conditions and may be used in very aggressive organic or inorganic fluids over the entire pH range 0-14, subject to process containment requirements

These probes are standard in mild steel, 304 S.S. and 316 S.S. Certain other alloys can be provided on special order; please contact the factory for information. The useful measuring lives of the T-10 and T-20 probe elements are 5 mils (0.13mm) and 10 mils (0.25mm) respectively.

COSASCO[®]

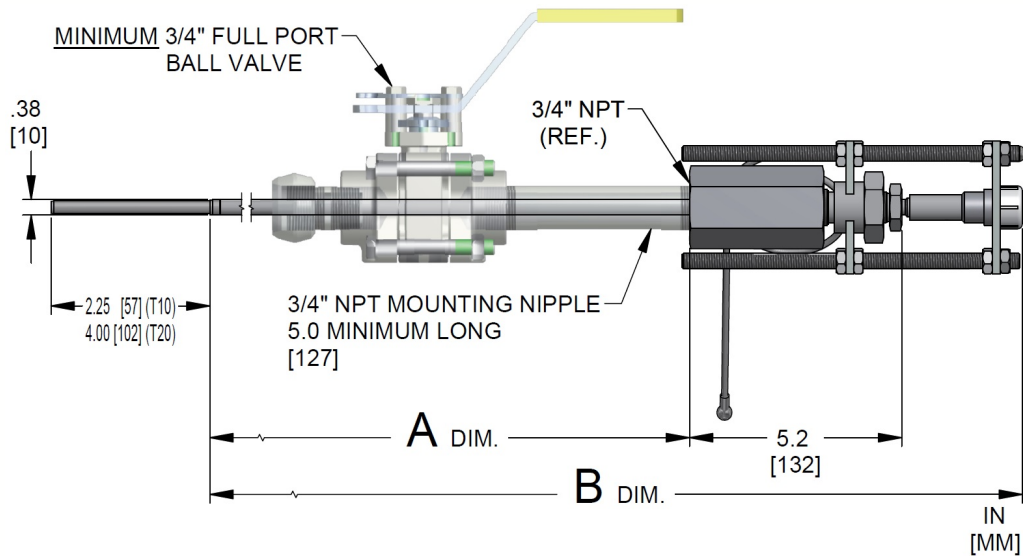
Element Availability

UNS Number	Alloy	T10	T20	T50	UNS Number	Alloy	T10	T20	T50
K03005	Pipe Grade Carbon Steel	•	•	•	N08020	CARP 20-Cb3	•	•	
A106GRB	A106 Gr.B	•	•		S50400	9% Cr 1% Mo	•	•	
S30400	304 S.S.	•	•	•	N04400	Monel 400	•	•	
S30403	304L S.S.	•	•		N06600	Inconel 600	•	•	
S31600	316 S.S.	•	•		N06625	Inconel 625	•	•	
S31603	316L S.S.	•	•		N08825	Incoloy 825	•	•	
S31803	317 S.S.	•	•	•	N10276	Hastelloy C-276	•	•	
S31700	2205 Duplex S.S.	•	•		A333GR6	A333Gr. 6		•	
S32100	321 S.S.	•	•						
S41000	410 Stainless Steel	•	•						
S50200	502 S.S. (5% Cr ½% Mo)	•	•						
N08904	904L S.S.	•	•						
	Inches Useful Range (mm)	.005 .127	.010 .254	.025 .635		Inches Useful Range (mm)	.005 .127	.010 .254	.010 .635

Table 1

Other element alloys or styles may be supplied subject to material availability.

Dimensions



Order Length	"A" Dimension		"B" Dimension	
	Inches	mm	Inches	mm
18	14.34	364	22.25	565
24	20.34	517	28.25	717
30	26.34	805	34.25	869
36	32.34	821	40.25	1022

"A" Dimension is with probe fully inserted into packing gland

MODEL 3504/3504HT

Ordering Information

Note: For high velocity process conditions it is recommended that Drag Force Calculations be performed – please contact a Cosasco representative for further details.

Model	Retractable ER Probes – Cylindrical Element Assembly				
3504	Complete Probe Assembly With Stuffing Box				
3504HT	Complete High Temperature Assembly				
3506	Model 3504 Replacement Insert				
3506HT	High Temperature Replacement Insert				
	Code	Element Form: See Table 1 for availability			
	T10	10 mil thickness (5 mil useful probe life)			
	T20	20 mil thickness (10 mil useful probe life)			
	Code	Element Alloy: See Table 1 for availability			
	XXXXXX	Enter UNS number			
		Code	Order Length		
		18	18 Inches		
		24	24 Inches		
		30	30 Inches		
		36	36 Inches		
		Code	Safety Clamp (Not an option for 3506 and 3506HT)		
		1	Safety Clamp Installed		
3504	— T10	— K03005	— 18	— 1	Example
3506	— T10	— K03005	— 18		Example
3504HT	— T20	— K03005	— 18	— 1	Example
3506HT	— T20	— K03005	— 18		Example
3506HT	— T20	— K03005	— 18		Example

*Carbon Steel for Carbon Steel Elements, Stainless Steel for all others.

Unit Weight: Probe Assembly with Safety Clamp – 7 lbs/3.18
Insert Only – 2.5 lbs/1.13 kg

Cosasco
11841 Smith Avenue
Santa Fe Springs, CA 90670, USA
Tel: 1-562-949-0123
Email: sales@cosasco.com
Web Site: www.cosasco.com

©Rohrbach Cosasco Systems, Inc. All rights reserved

The contents of this publication are presented for information purposes only, and while effort has been made to ensure their accuracy, they are not to be construed as warranties or guarantees, express or implied, regarding the products or services described wherein or their use or applicability. We reserve the right to modify or improve the designs or specifications of our products at any time without notice.



3504-DS rev-B
Rev. Date: 01/28/2019

www.cosasco.com