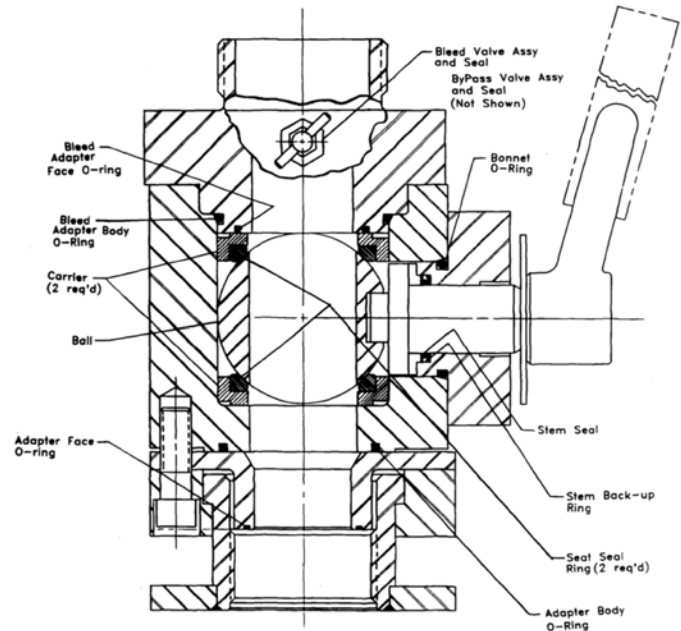


# Model RBS 6000 COSASCO® Two-Inch System Service Valve Kits

## Specifications:

- **Meets NACE MR0175 and MR0103**
- **Pressure Rating — 6000 PSI (41.3 MPa)**
- **By-Pass Bleed Valve Provides Safe Pressurization**
- **Complies with API 6FA and API 607 as a Fire-Safe Unit**
- **Seal Options Available for Temperature Rating Up to +450 °F (+232 °C)**



Service Valve configuration is shown in Figure 1. The retriever end connection is a three and one-half inch acme thread., mating with the hammer nut of the RBS 6000 Retrievers. At the other end, a three inch acme thread hammer nut mates with the COSASCO® Access fitting.

The complete Service Valve Kit includes the valve assembly with extension lever, brass hammer, spare face-to-access fitting o-ring, and a heavy duty field service box for safe, compact storage and easy portability.

COSASCO® RBS 6000 Service Valve Kits are especially designed for use with COSASCO® Access Fittings and RSL/RBS/RBSA Retrievers. Attached to the access fitting body, the valve is the control which allows the pressurized product to enter the retriever during insertion and removal of COSASCO® Solid or Hollow Plug Assemblies. It also contains the pressurized product when the retriever is disconnected. Retriever and Service Valve hook-up is indicated in Figure 2.

Basically a ball-type valve with full-opening port, a special pressure equalizing port allows the operator to slowly release line pressure to the retriever. With pressure balanced on both sides of the ball, the valve can be operated without difficulty or torque problems, even on high pressure systems.



The valve also incorporates a secondary special built-in vent to atmosphere valve allowing product bleed-off away from the operator for safety and cleanliness. With the aid of the optional accessory Diverter Hose Assembly, the bleed valve can also be used for product sampling, back-pressuring or for product or pressure relief.

Should the solid or hollow plug thread, packing, or o-ring become damaged, preventing service valve removal, a Service Valve Blanking Plug can be used to seal the open end of the valve. The Service Valve Blanking Plug, available as an optional accessory is mated to the acme threads of the service valve after removing the retriever. This provides a secondary seal for the valve. The Service Valve can then be left in place, completely sealing the access fitting until corrective repairs can be made at a later date.

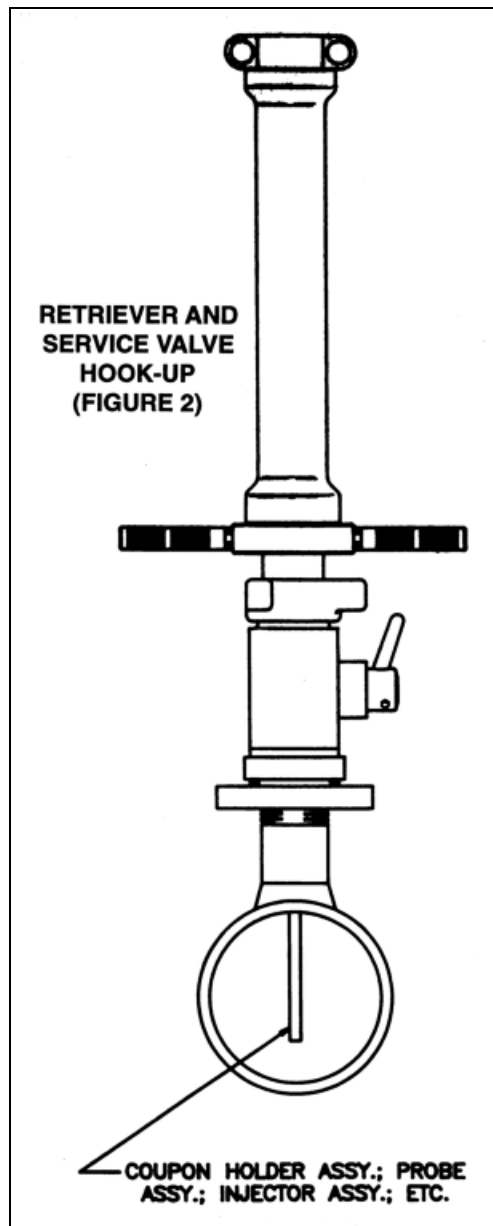
Description	NACE Part No.	Hi-Temp
Service Valve Kit	601025	601031
Service Valve Assembly w/ Extension Lever	601026	
O-Ring 2-228 Viton	124642	
Brass Hammer	125137	
Field Service Box	210296	
Weight & Dimensions		
Service Valve Face-to-Face Dimension	10.00" (254 cm)	
Service Valve and End-to-End Dimension	11.625" (295.2 cm)	
Service Valve Assembly Weight	78.0 lb.	

Flanged valves, alternate materials, and high temperature valves are available on special order. Standard units are related for pressures up to 6000 PSI (41.3 MPa) at temperatures to +200 °F (+93 °C).

Description	Repair Kit NACE Trim P / N	Seal Kit NACE Trim P / N
Repair and Seal Kits consisting of:	601024	601023
Stem wiper ring, Molythane	Yes	Yes
Stem back-up ring, Teflon	Yes	Yes
Stem seal, Fluoromite w / Viton O-Ring	Yes	Yes
Stem seal, Fluoromite w / Nitrile O-Ring	No	No
Stem O-Ring, Viton	Yes	Yes
Stem O-Ring, Nitrile	No	No
Adapter face O-Ring, Viton	Yes	Yes
Adapter face O-Ring, Nitrile	No	No
Adapter body O-Ring, Viton	Yes	Yes
Adapter body O-Ring, Nitrile	No	No
Ball seat seal ring, Celcon (2)	Yes	Yes
Bleed adapter carrier seal, Viton	Yes	Yes
Bleed adapter carrier seal, Nitrile	No	No
Bleed adapter carrier, 17-4 PH (2)	Yes	N / A
Bleed adapter carrier, carbon steel (2)	No	N / A
Ball, 17-4 PH	Yes	N / A
Ball, carbon steel	No	N / A
Bleed valve screw assembly, Viton (2)	Yes	N / A
Bleed valve screw assembly, Nitrile (2)	No	N / A
Bleed valve seals, Viton (2)	Yes	Yes
Bleed valve seals, Nitrile (2)	No	No

### Optional Accessories:

- 124669 Diverter Hose Assembly - 10 ft.
- 124931 Diverter Hose Assembly - 25 ft.
- 124685 Diverter Hose Assembly - 50 ft.
- 127391 Service Valve Blanking Plug Assembly



Rohrbach Cosasco Systems, Inc.  
 11841 East Smith Avenue  
 Santa Fe Springs, CA 90670, USA  
 Tel: (1) 562-949-0123 Fax: (1) 562-949-3065  
 US Toll Free: 800-635-6898  
 E-Mail: sales@cosasco.com  
 Web Site: www.cosasco.com

