

Model RBSA COSASCO® Two-Inch System Retriever Kit

Specifications:

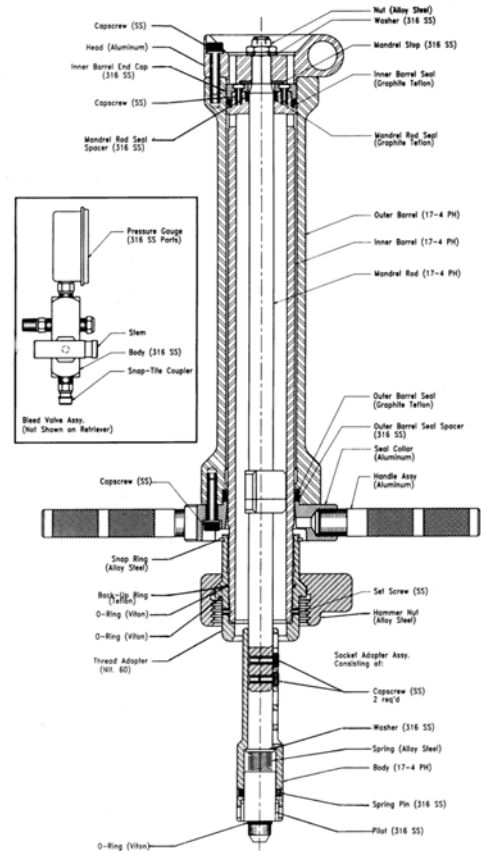
- **Pressure Rating —
2500 PSI (17.2 MPa) Working Pressure**
- **Temperature Rating —
+450 °F (+232 °C)**
- **Pressure-Balanced Design Has
Over 25 Years of Field-Proven
Reliability**
- **Lightweight, Easy-To-Use Design**
- **Meets NACE MR0175 and MR0103**

The Rohrback Cosasco Systems RBSA Retriever is a precision tool which allows safe, easy insertion and removal of various equipment and tools through a Rohrback Cosasco Systems Access Fitting - while the pipeline or vessel is under pressure. Used in conjunction with a Rohrback Cosasco System Service Valve, the tandem hook-up is designed to allow line working pressure to slowly bleed pressure into the retriever inner assembly as the plug assembly moves off its seat in the Access Fitting Body. The resulting balanced pressure allows easy insertion and retrieval under full operating pressures up to 2500 PSI (17.2 Mpa).

A single RBSA Retriever and Service Valve can be used for any convenient number of Rohrback Cosasco Systems Access monitoring points such as in a refinery, producing field or platform.



The major components of the RBSA Retriever are: a stationary inner barrel; thread adapter; moveable stainless steel outer barrel and mandrel rod; and socket adapter assembly. Sealing within the unit is achieved with Viton-rings, Teflon® back up rings, and graphite impregnated Teflon® seals.



A bleeder valve assembly incorporated in the RBSA Retriever allows product bleed-off away from the operator for safety and cleanliness. A Pressure Gauge is also incorporated which shows the pressure inside the tool. This is extremely useful when pressurizing and depressurizing the tool. The Bleeder Valve Assembly can also be used for backpressuring and product sampling.

Each RBSA Retriever Kit component assembly is furnished with service tools and an ample supply of spare parts. Parts subject to wear with normal use are available in Repair or Seal Kits. The complete RBSA Retriever Kit with component assemblies, service tools and spare parts is contained in a sturdy field service box to provide compact, easy storage and portability.

Standard RBSA Retriever Kits with various stroke lengths are indicated. Longer stroke lengths and temperature ratings variances are available on a special order basis. Please contact Rohrback Cosasco Systems for specifics.

RBSA Dimensions and Weights

Description (See Illustration)	Stroke			
	18"	25"	37"	49"
A) Retriever Collapsed	25.50"	32.50"	44.50"	56.50"
B) Retriever Extended	43.62"	57.62"	81.62"	105.62"
C) Removal Clearance	3600# S/V	52.25"	66.25"	90.25"
	6000# S/V	54.75"	68.75"	92.75"
Retriever Kit Weight in pounds	94	112	133	153
Retriever Assembly Weight in pounds	43	48	59	70
Retriever Kit Cubage	2.3	2.6	3.3	4.0

Stroke	Plug Type	D (Maximum Device Length)	
		3600# S/V (7.06" face to face)	6000# S/V (10.00" face to face)
18"	Solid	9.00"	7.00"
	Hollow	8.00"	6.00"
25"	Solid	16.00"	14.00"
	Hollow	15.00"	13.00"
37"	Solid	28.00"	26.00"
	Hollow	27.00"	25.00"
49"	Solid	40.00"	38.00"
	Hollow	39.00"	37.00"

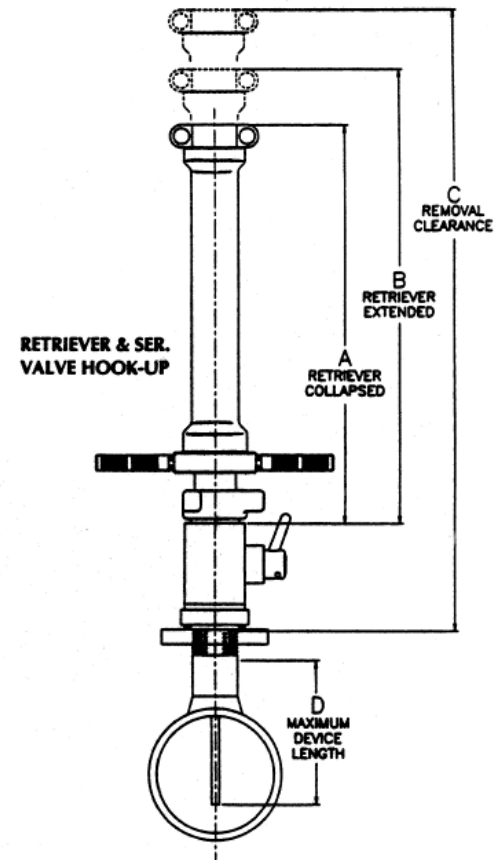
How to Order:

Sizing of Retrievers is governed by the length of stroke required. The stroke is defined as the distance the Solid or Hollow Plug Assembly and its longest tool or attachment must travel from its seated position within the Access Fitting Body through the Service Valve allowing the valve ball to be closed. Determine stroke length required for longest retrievable attachment to be used. Select the next longer stroke length Retriever Kit available.

Ordering Information:

Part Number	Description
RBSA-LL	Retriever Kit Consisting of:
600010-RBSA-LL	Retriever Assembly
127500	Socket Adapter Assembly, 6.88"
207024	Retriever Head Bar
125060	Retriever Wood Clamp
125137	Brass Hammer
125111	Thread Tap
126409	Wrench Set
610013-LL	Field Service Box

LL=Stroke. Standard Stroke Lengths available are 18", 25", 37", and 49".



Options and Spare Parts for RBSA Retrievers

Options:

- 123672 - Surge Tube Assembly
- 124669 - Diverter Hose Assembly - 10 ft.
- 124931 - Diverter Hose Assembly - 25 ft.
- 124685 - Diverter Hose Assembly - 50 ft.
- 203855 - Backpressure Service Tool
- 126720 - Tool Kit
- 126292 - Overshot Adapter
- 125115 - Pipe Plug Retriever Adapter

Spare Parts:

- 210238 - RBS/RBSA Retriever Repair Kit
- 210237 - RBS/RBSA Retriever Seal Kit
- 126409 - Wrench Set
- 201688 - Lubricant Synthetic
- 210473 - Seal Installation Tool



Rohrback Cosasco Systems, Inc.
 11841 East Smith Avenue
 Santa Fe Springs, CA 90670, USA
 Tel: (1) 562-949-0123 Fax: (1) 562-949-3065
 US Toll Free: 800-635-6898
 E-Mail: sales@cosasco.com
 Web Site: <http://www.cosasco.com>

