

CORRDATA[®] Remote Data Collection System



Features:

- **Maximum Versatility**
- **Automatic Corrosion Data Collection**
- **Multiple Power and Communication Options**
- **Intrinsically Safe**
- **Simple Operation With Graphical Displays**
- **Integrates Multiple Parameters**
- **Wide Environmental Operating Range**
- **CE Compliant**
- **ATEX Compliant**

Remote Data Collectors (RDC's) are used at every probe location where maximum visibility and sensitivity to corrosion rate changes are required. Readings of corrosion and temperature data may be set as frequently as every five minutes for RDC-COT or every thirty minutes for RDC-CAT.

Programming of all the RDC's, and data retrieval from the RDC's is accomplished by a single Checkmate™ DL or Mate II for direct transfer to a portable or desktop P.C. running CORRDATA[®] Plus Software. For non-intrinsically safe applications the RDC may be configured directly from the PC.

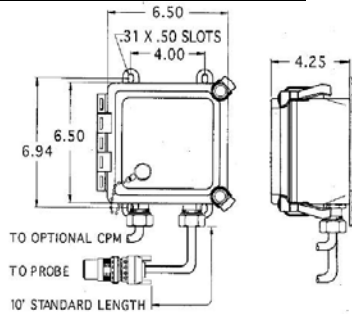
For probe locations where less frequent monitoring is required, the CORRDATA[®] Mate II is capable of monitoring probes directly without an RDC, as well as transferring accumulated probe data from RDC's.

For increased versatility, Communication Power Modules (CPM's) provide a wide range of power supply and remote communication options. Battery, solar or line power may be used. Communication over cellular or telephone links allows data retrieval without ever leaving the office.

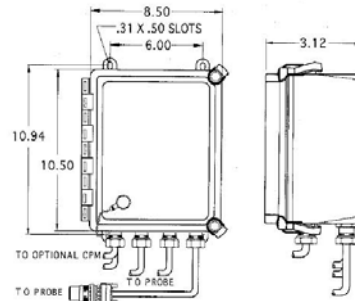
CORRDATA[®] Plus Software provides graphical displays of corrosion data for immediate identification of corrosion upsets. With CORRDATA[®] Plus Windows based Software for Windows XP Pro/Vista Business/Vista Ultimate multiple probes and additional corrosion related parameters, such as temperature from CORROTEMP[®] probes, can be simultaneously reviewed.

Remote Data Collectors

RDC Single Channel



RDC 4-Channel



Specifications:

- NEMA 4X Enclosure
- **Operating Temperature:**
-40°F to +158°F (-40°C to +70°C)
- **Data Storage:**
CORROSOMETER®: Most recent 2048 measurements
CORROTEMP® CO: Most recent 1024 measurements
CORRATER®: Most recent 1024 measurements
CORROTEMP® CA: Most recent 512 measurements
- **Typical Battery Life: (14 Ah Battery)**
CORROSOMETER®/CORROTEMP®: 177 days @ 1 measurement/hr.
CORRATER: 91 days @ 1 reading/hr.
- **Probe Channel Cables:**
Ten foot probe cable included (contact factory if alternate length is necessary)
- **Weight:** 5 lbs. (2.3 kg)
- **Hazardous Area Certifications RDC and RDC4**
UL/ULc Class 1, Zone 1, Ex and AEx ib IIC T4* (Class 1, Div. 2, A, B, C, D, T4) with Battery Pack for USA and Canada
UL/ULc Class 1, Zone 1, Ex and AEx ib IIB T4* (Class 1, Div. 2, A, B, C, D, T4) with Remote Power for USA and Canada
DEMKO/ATEX EEx ib IIC T4* with Battery Pack for Europe
DEMKO/ATEX EEx ib IIB T4* with Remote Power
*T4 at 50°C Ambient, and *T3 at 70°C Ambient

Specifications:

- NEMA 4X Enclosure
- **Operating Temperature:**
-40°F to +158°F (-40°C to +70°C)
- **Data Storage:**
CORROSOMETER®: Most recent 2048 measurements
CORROTEMP® CO: Most recent 1024 measurements
- **Typical Battery Life: (14 Ah Battery)**
CORROSOMETER®/CORROTEMP®: 177 days @ 1 measurement/hr.
- **Probe Channel Cables:**
Order required number to length (max. 100 ft. each)
See order chart below
- **Weight:** 7 lbs. (3.2 kg) (excluding cables)

Ordering Information: Remote Data Collectors

MODEL	CORRDATA® DATA COLLECTION UNIT				
RDC	SINGLE CHANNEL RDC				
RDC4	4-CHANNEL RDC				
	CODE	PROBE TYPE			
	COT	CORROTEMP® CO OR CORROSOMETER® PROBE			
	CAT	CORROTEMP® CA OR CORRATER® PROBE (SINGLE CHANNEL RDC ONLY)			
		CODE	CONNECTOR TYPE		
		A	TYPE A CONNECTOR (SINGLE CHANNEL RDC ONLY)		
		B	TYPE B CONNECTOR (SINGLE CHANNEL RDC ONLY)		
			CODE	POWER COMMUNICATION OPTIONS	
			0	POWER/COMMUNICATION CONNECTOR	
			3	HEAVY DUTY 14 Ah BATTERY PACK (P/N 748270)	
			CODE	HAZARDOUS AREA CERTIFICATIONS	
			3	SEE SPECIFICATIONS ABOVE	
RDC	COT	B	0	3	TYPICAL RDC ORDER NUMBER
RDC4	COT	-	3	3	TYPICAL RDC4 ORDER NUMBER

RDC4 CABLE ORDERING INFORMATION:

FOR TYPE A PROBE CONNECTOR: 702019-A-LL

FOR TYPE B PROBE CONNECTOR: 702019-B-LL

Note: LL = Order length in feet (max. 100 ft. each)

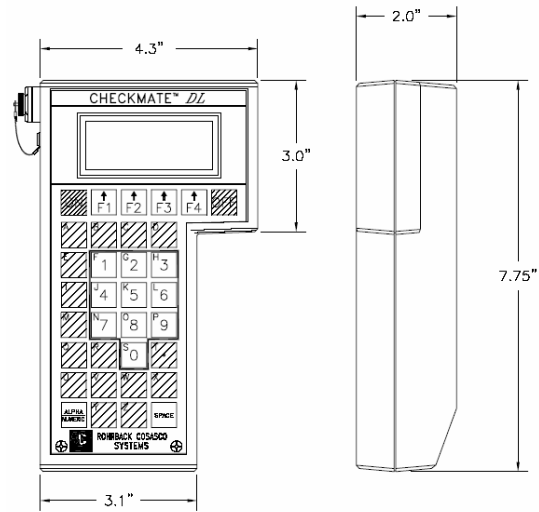
FOR MODEL 600 PROBE: 700621-1-LL

FOR MODEL 610 PROBE: 700621-3-LL

For dual use, on Type A or Type B connectors, order 700612-A-LL and adaptor P/N 028030 Extension cables should not generally be used on RDC's

Data Transfer Units

Checkmate™ DL



Specifications:

- **Compatibility:** Reads all CORROSOMETER® and CORRATER® RDC units and all MICROCOR® Data loggers
- **Memory:** for up to 50 RDCs when programmed with for CORRDATA® Systems. 57,330 MICROCOR® Data Logger readings when programmed for MICROCOR® Systems.
- **Data Transfer:** Intrinsically Safe RS 232 at 9600 Baud Rate
- **Power Source:** 6 AA Alkaline Batteries
- **Battery Life:** Typically 10 hours of continuous operation
- **Display:** Four Line Liquid Crystal Display (LCD)
- **Temperature Range:**
 - Operating:** 0°F to 122°F (-18°C to 50°C)
 - Storage:** 0°F to 150°F (-18°C to 70°C)
- **Enclosure:** Splash-proof enclosure with sealed membrane keyboard

- **Dimensions:** 7.75"H x 4.30"W x 2"D (196.8 mm x 109.2 mm x 50.8 mm)
- **Weight without carrying case:** 1.5 lbs. (0.68 kg)
- **Weight with carrying case:** 5 lbs (2.3kg)

Hazardous Area Certification:

Model CHECKMATE-DL-0-Y: Class 1, Zone 2 North America:

UL AEx nL IIC T4 Tamb = -20°C to +50°C
ULc Ex nL IIC T4 Tamb = -20°C to +50°C

Europe:

CE compliant (EMC, ATEX)
ATEX EEx nL IIC T4 Tamb = -20°C to +50°C

Model CHECKMATE-DL-1-Y: Class 1, Zone 1 North America:

UL AEx ib IIC T4 Tamb = -20°C to +50°C
ULc Ex ib IIC T4 Tamb = -20°C to +50°C

Europe:

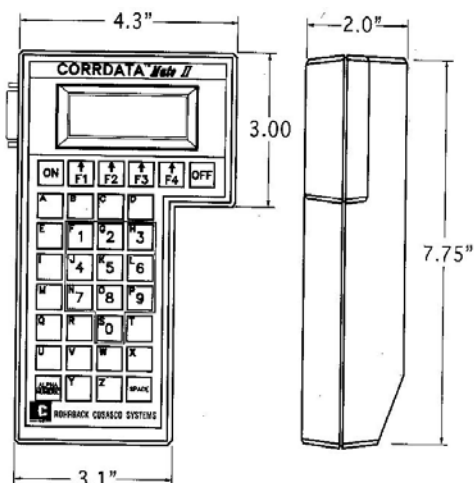
CE compliant (EMC, ATEX)
ATEX EEx ib IIC T4 Tamb = -20°C to +50°C

Ordering Information: Checkmate DL

Model	Description						
CHECKMATE-DL	Portable CORRDATA® Data Logging Instrument With Carrying Case						
	<table border="1"> <thead> <tr> <th>Code</th> <th>Certification (Z)</th> </tr> </thead> <tbody> <tr> <td>0</td> <td>Non-Incendive, Energy Limited</td> </tr> <tr> <td>1</td> <td>Intrinsically Safe</td> </tr> </tbody> </table>	Code	Certification (Z)	0	Non-Incendive, Energy Limited	1	Intrinsically Safe
Code	Certification (Z)						
0	Non-Incendive, Energy Limited						
1	Intrinsically Safe						
	<table border="1"> <thead> <tr> <th>Code</th> <th>Default Configuration (Y)</th> </tr> </thead> <tbody> <tr> <td>0</td> <td>CORRDATA® (CORROSOMETER® & CORRATER® RDCs)</td> </tr> <tr> <td>1</td> <td>MICROCOR® Data Loggers</td> </tr> </tbody> </table>	Code	Default Configuration (Y)	0	CORRDATA® (CORROSOMETER® & CORRATER® RDCs)	1	MICROCOR® Data Loggers
Code	Default Configuration (Y)						
0	CORRDATA® (CORROSOMETER® & CORRATER® RDCs)						
1	MICROCOR® Data Loggers						
CHECKMATE-DL - 1 - 1	Example						

Accessories: Field carrying case, Leather – P/N 723631

MATE II



Specifications:

- **Compatibility:**
Reads all RDC's, CORROSOMETER, CORROTEMP CORROSOMETER, AND CORRATER Probes
- **Power Source:** 6 AA alkaline cells
- **Battery Life:** Typically 10 hours of continuous operation
- **Display:** Four Line Liquid Crystal Display (LCD)
- **Temperature Range:**
 - Operating:** 0°F to +122°F (-18°C to +50°C)
 - Storage:** 0°F to +150°F (-18°C to +70°C)
- **Hazardous Area Certifications:**
UL/ULc (CLASS 1, GROUPS A, B, C, D, TEMP T3C) for USA & Canada
- **Enclosure:** Splash-proof enclosure with sealed membrane keyboard
- **Dimensions:** 7.75"H x 4.30"W x 2"D (196.8 mm x 109.2 mm x 50.8 mm)
- **Weight:** without carrying case: 1.5 lbs. (.68 kg)
with carrying case: 5.5 lbs. (2.5 kg)
- Carrying case and all necessary leads included

Ordering Information: Mate II

MODEL	HAND HELD MONITORING UNIT	
CDM2	RDC AND PROBE MOUNTING UNIT	
	CODE	ASSOCIATED PC SOFTWARE PACKAGE
	2	WITH CORRDATA PLUS WINDOWS PC SOFTWARE PACKAGE
	CODE	HAZARDOUS AREA CERTIFICATIONS
	1	UL/ULc
<div style="display: flex; justify-content: space-between; align-items: center;"> CDM2 — 2 — 1 ← TYPICAL CDM2 ORDER NUMBER </div>		



Rohrback Cosasco Systems, Inc.
 11841 East Smith Avenue
 Santa Fe Springs, CA 90670, USA
 Tel: (1) 562-949-0123 Fax: (1) 562-949-3065
 US Toll Free: 800-635-6898
 E-Mail: sales@cosasco.com
 Web Site: http://www.cosasco.com

