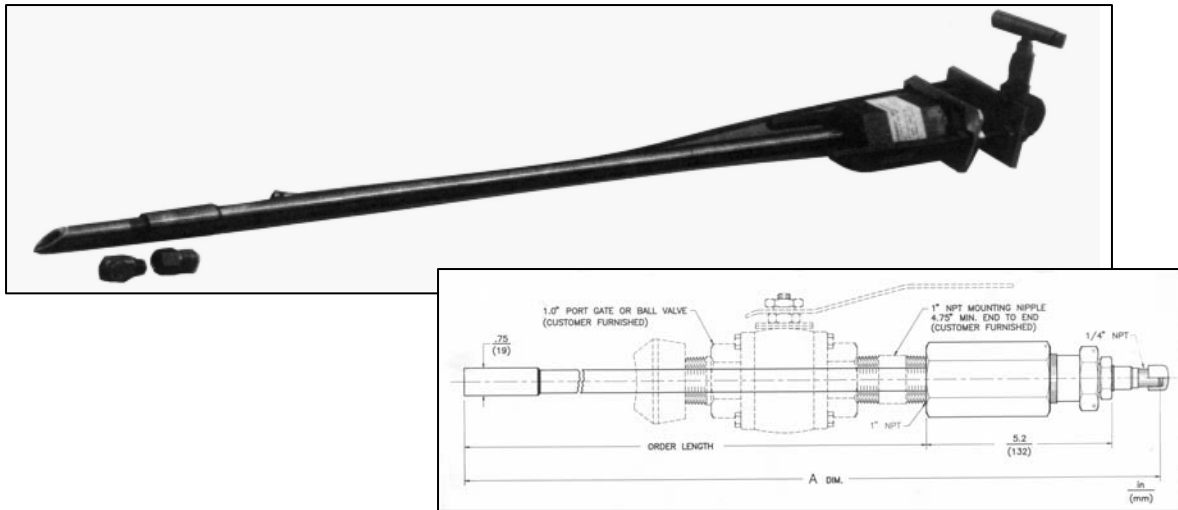


Model 6330 COSASCO® Retractable System Injection/Sampling Tube Assemblies



Order Length	"A" Dimension	
	Inches	mm
18	24.54	623
24	30.54	775
30	36.54	928
36	42.54	1080

Specifications:

- **Pressure Rating — 1500 PSI (10.3 MPa)**
- **Mounting — 1" Full Port Valve Minimum**
- **Temperature Rating — +500 °F/+260 °C**
- **Tube and Adapter Material — 304 S.S.**
- **Stuffing Box Material — 316 S.S.**
- **Seal Material — Teflon**

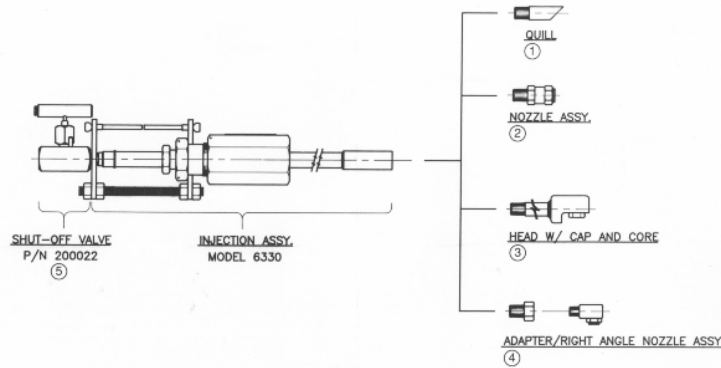
The Model 6330 Injection/Sampling Tube Assemblies provide a retractable means of chemical injection or process fluid sampling at pressures up to 1500 PSI/10.3 MPa and temperatures up to +500° F/ +260° C. Insertion of the tube can be adjusted to permit injection/sampling at precisely the desired point within the process fluid.

Standard lengths are available in 18, 24, 30, and 36 inches. The 1/4" female NPT on the process side of the injection tube allows you to install a quill or choose from various nozzle configurations to meet your injection requirements.

Ordering Information:

Model	Retractable Injection Tube	
6330	Complete Injection Tube Assembly - 1/4" NPT Stuffing Box	
	Code	Order Length
	18	18 Inches
	24	24 Inches
	30	30 Inches
	36	36 Inches
	Code	Safety Clamp Option
	0	No Safety Clamp
	1	With Safety Clamp

6330	-	18	-	1	←	Example
------	---	----	---	---	---	---------



Accessories:

Option Number Per Drawing	Order Number	Description	Additional Information																
1	6300-2.00	Injection Tube 1/4" NPT Quill 2.00																	
2	129183 201020 201021	Nozzle 1/4" Male NPT .30 Nozzle 1/4" Male NPT .40 Nozzle 1/4" Male NPT .60	GPH Capacity @ Pressure Differential <table border="1"> <tr> <td>40 PSI</td> <td>60 PSI</td> <td>80 PSI</td> <td>100 PSI</td> </tr> <tr> <td>.30</td> <td>.36</td> <td>.42</td> <td>.48</td> </tr> <tr> <td>.40</td> <td>.48</td> <td>.56</td> <td>.64</td> </tr> <tr> <td>.60</td> <td>.72</td> <td>.84</td> <td>.96</td> </tr> </table>	40 PSI	60 PSI	80 PSI	100 PSI	.30	.36	.42	.48	.40	.48	.56	.64	.60	.72	.84	.96
40 PSI	60 PSI	80 PSI	100 PSI																
.30	.36	.42	.48																
.40	.48	.56	.64																
.60	.72	.84	.96																
3	A. 6304-2.25	Injection Tube 1/4" NPT X Head 2.25																	
	B.		GPH Capacity @ Pressure Differential <table border="1"> <tr> <td>40 PSI</td> <td>60 PSI</td> <td>80 PSI</td> <td>100 PSI</td> </tr> <tr> <td>.30</td> <td>.36</td> <td>.42</td> <td>.48</td> </tr> <tr> <td>.40</td> <td>.48</td> <td>.56</td> <td>.64</td> </tr> <tr> <td>.60</td> <td>.72</td> <td>.84</td> <td>.96</td> </tr> </table>	40 PSI	60 PSI	80 PSI	100 PSI	.30	.36	.42	.48	.40	.48	.56	.64	.60	.72	.84	.96
40 PSI	60 PSI	80 PSI	100 PSI																
.30	.36	.42	.48																
.40	.48	.56	.64																
.60	.72	.84	.96																
4	A. 129108	Adapter Bushing 1/4" to 1/8" NPT - 316 S.S.																	
	B.		GPH Capacity @ Pressure Differential <table border="1"> <tr> <td>10 PSI</td> <td>20 PSI</td> <td>40 PSI</td> <td>100 PSI</td> </tr> <tr> <td>.05</td> <td>.07</td> <td>.10</td> <td>.16</td> </tr> <tr> <td>.50</td> <td>.70</td> <td>1.0</td> <td>1.6</td> </tr> </table>	10 PSI	20 PSI	40 PSI	100 PSI	.05	.07	.10	.16	.50	.70	1.0	1.6				
10 PSI	20 PSI	40 PSI	100 PSI																
.05	.07	.10	.16																
.50	.70	1.0	1.6																
5	200022	Shut-Off Valve 1/4" NPT 316 S.S.																	

*Requires P/N 129108 for installation



Rohrback Cosasco Systems, Inc.
 11841 East Smith Avenue
 Santa Fe Springs, CA 90670, USA
 Tel: (1) 562-949-0123 Fax: (1) 562-949-3065
 US Toll Free: 800-635-6898
 E-Mail: sales@cosasco.com
 Web Site: www.cosasco.com



ISO 9001:2000
 Certificate No. FM 10694