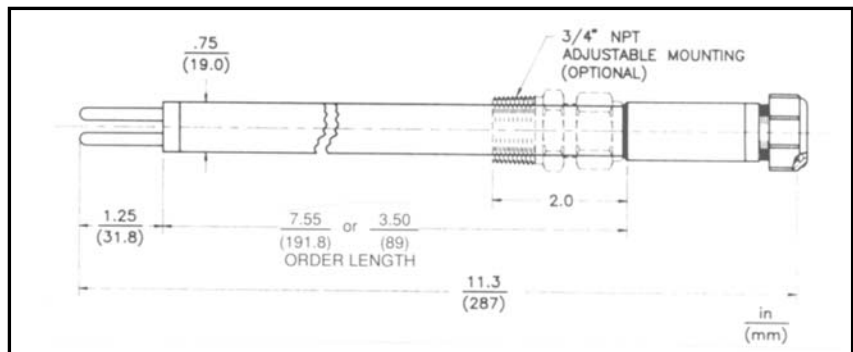


Model 6112 CORRATER[®] Probe

TWO-ELECTRODE



Specifications:

- **Mounting — Optional Adjustable Nylon Swage Fitting**
- **Temp. Rating — +300° F / +150° C**
- **Pressure Rating — 100 PSI/690 kPa**
- **Electrode Seal Material — Epoxy**
- **Fill Material — Epoxy**
- **Body Material — Glass Epoxy**

This model is ideally suited for laboratory testing or light duty plant operations in a bypass rack where removal under system pressure is not required. For heavier duty plant operation see Model 7012 or 7022. This probe employs two replaceable identical electrodes which are mounted at the end of the probe by threaded, insulated studs. Two electrode probes are suitable for the majority of problems where LPR techniques are applicable. When monitored by "Solution Resistance Compensating"

instruments such as the Model 9030 CORRATER[®], CORRDATA[®] RDC - CORRATER[®], AquaMate[™], AquaCorr[™], or Model 9134 PIM, they may be used in low conductivity solutions. See Fig. 1 of the CORRATER[®] Probe Selection Guide. CORRATER[®] probes are used by major companies worldwide to measure corrosion in waterfloods, cooling water loops and other aqueous systems and to provide control of inhibitor addition for optimum economy and corrosion protection.

Element Availability:

UNS Number	Alloy Code	Alloy	UNS Number	Alloy Code	Alloy
K03005	-----	Pipe Grade Carbon Steel	C11000	8061	Copper 110 ETP
S30400	8013	304 S.S.	C70610	8062	Cu/Ni 90/10
S30403	8014	304L S.S.	C44300	8073	Ars. Ad. Brass CDA #443
S31600	8020	316 S.S.	A91100	8080	Aluminum 1100
S31603	8021	316L S.S.	A92024	8085	Aluminum 2024
N08020	8043	Carpenter 20 Cb3	R50400	8093	Titanium Gr2
N04400	8054	Monel 400	060942		D.G.M.
C71500	8060	Cu/Ni 70/30			
L50045	-----	Common Lead			

Table 1

All elements are furnished "as machined" unless otherwise specified. Exceptions are Mild Steel which are vacuum annealed.

Elements have a grid blasted finish.

CORRATER[®] electrodes have been made of a great variety of materials and often, in the case of special alloy, from samples provided by the customer. To give correct results, electrodes must be made from defect-free stock which has been properly machined. Please contact your Rohrback Cosasco Systems representative if the alloy of interest to you is not shown in the Alloy Table.

Electrodes are also available as individual sets with part number 060814- XXXXXX, where XXXXXX is the UNS alloy number.

DGM electrodes are used with CORRATER[®] instruments for the monitoring of low level dissolved oxygen (0-100 ppb).

Ordering Information:

Model	Laboratory CORRATER [®] Probe Assembly	
6112	Complete probe assembly without electrodes	
	Code	Order Length
	0	Standard Length 7.55 inches/191.8 mm
	1	Standard Length 3.5 inches/89 mm
	Code	Electrode Alloy: See Table 1
	XXXXXX	Enter UNS Number: Enter 0 if not required
	Code	Mounting Adaptor
	0	None Furnished
	1	With 3/4" NPT adjustable nylon tube fitting
6112	0	K03005
		0

Example

Accessories: P/N 010748 – 3/4" NPT Adjustable Nylon Fitting

Note: Electrodes are packaged separately to avoid damage to the surface.

Unit Weight: Probe assembly 1 lb/.45 kg



Rohrback Cosasco Systems, Inc.
 11841 East Smith Avenue
 Santa Fe Springs, CA 90670, USA
 Tel: (1) 562-949-0123 Fax: (1) 562-949-3065
 US Toll Free: 800-635-6898
 E-Mail: sales@cosasco.com
 Web Site: www.cosasco.com

