

Model 60 COSASCO[®] Retractable System Retractor Kit

1500 PSI (10.3 MPa)
Working Pressure

Specifications:

- ***Quick Mounting & Release***
- ***Simple to Operate***
- ***Lightweight***
- ***1500 PSI Working Pressure***
- ***Convenient Carrying Case***
- ***COSASCO[®] Proven Reliability***

The COSASCO[®] Retractor is a lightweight tool easily and simply operated by one person. It provides safe and controlled insertion and retraction of probes, sensors and injection devices at pressures up to 1,500 psi.

Over thirty years of field experience brings you the safest and most reliable retractor available. A simple clamp installs or removes the retractor in seconds. A safety release pin assures a safe, secure attachment during installation or retraction. This Retractor has been designed and field tested to comply with RCS' high standards for reliability and safety.

The COSASCO[®] Retractor is completely compatible with the RCS Retractable System of access fittings, probes, sensors and injection devices. It is also compatible with a standard 1" full port ball valve and nipple assembly.

The COSASCO[®] Retractor comes complete with tools and adaptors in a handy carrying case for easy portability and storage.



Specifications:

Description (See Illustration)	Ordering Length	
	24	36
Retractor Overall Length	35" .89 m	47" 1.2m
Minimum Working Radius	9.5" .24m	9"5" .24m
Reactor Assembly Weight	19# 8.62 kg	22# 9.98 kg
Shipping Weight (Net)	27# 12.25 kg	35# 15.88 kg
Shipping Cubage	1.0 cu. ft. .03 cu. m	1.3 cu. ft. .04 cu. m

Retractable System

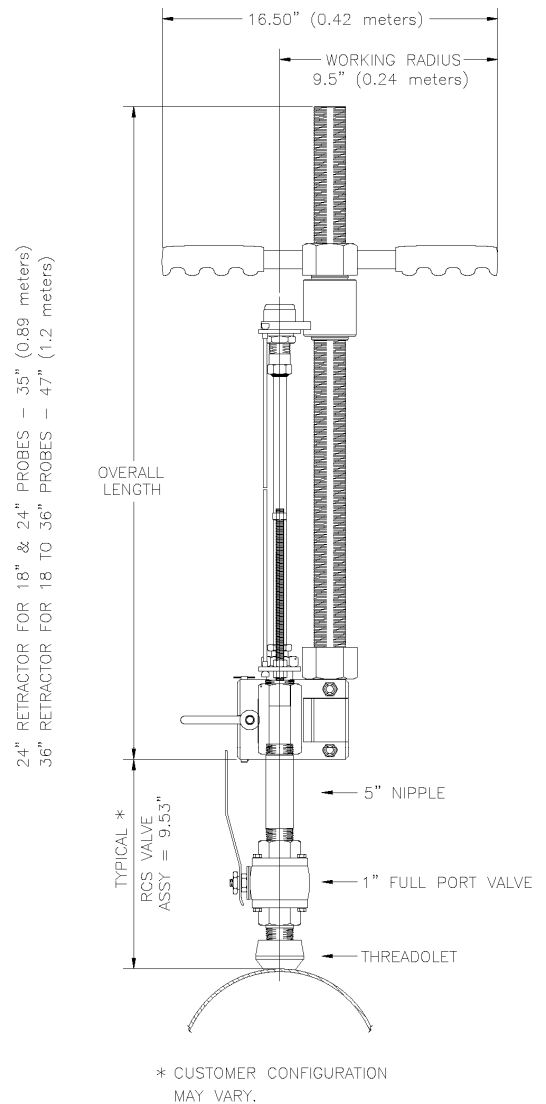
This Access System has been designed to be compatible with the commonly used ANSI 600# class rating. Operating pressures run to 1,500 psi (10.3 MPa) and temperatures to +500°F / +260°C.) See separate access valve assembly bulletin for details and ordering information.

Ordering Information:

Retractor Kit with carrying case:

P/N 603000-24 - For devices up to 24" order length

P/N 603000-36 - For devices up to 36" order length



Rohrback Cosasco Systems, Inc.
 11841 East Smith Avenue
 Santa Fe Springs, CA 90670, USA
 Tel: (1) 562-949-0123 Fax: (1) 562-949-3065
 US Toll Free: 800-635-6898
 E-Mail: sales@cosasco.com
 Web Site: www.cosasco.com

