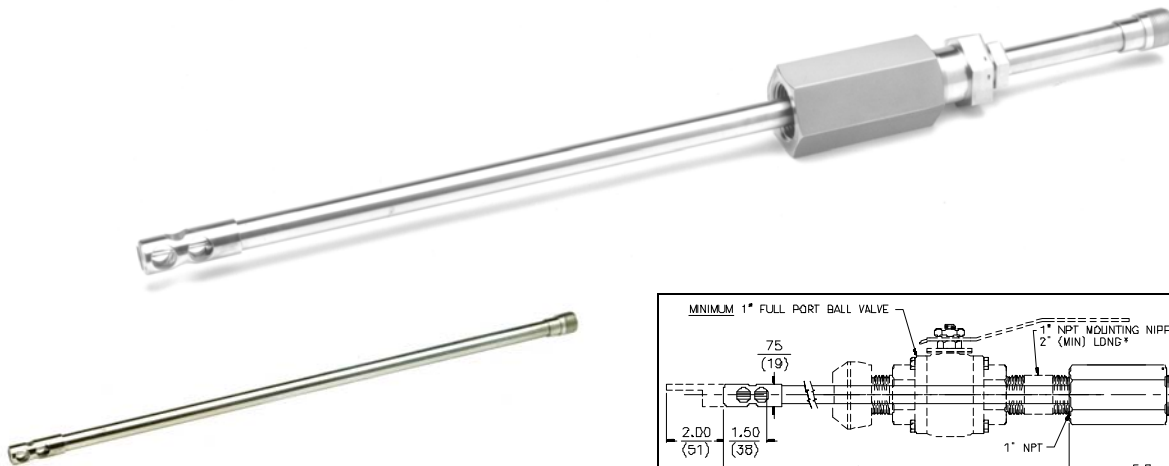
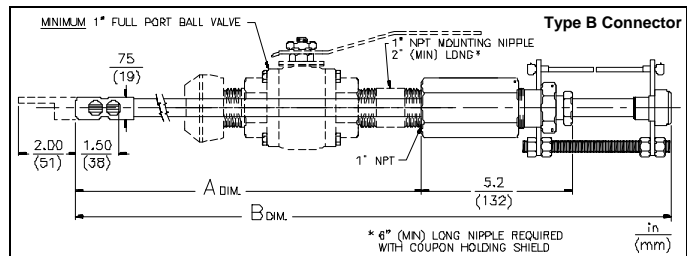


# Model 3600/3600G CORROSOMETER® Probe

## LOOP ELEMENT



Model 3601/3601G Replacement Insert



Order Length	"A" Dimension		"B" Dimension	
	Inches	mm	Inches	mm
18	16.94	430	23.44	595
24	22.94	583	29.44	748
30	28.94	735	35.44	900
36	34.94	887	41.44	1053

### Specifications:

- **Mounting — 1" Full Port Valve Minimum**
- **Temp. Rating — 500°F/260°C**
- **Pressure Rating — 1500 PSI/10.3 Mpa**
- **Element Seal Material — Teflon (Model 3600)  
Glass (Model 3600G)**
- **Fill Material — Ceramic**
- **Probe Body Material — 316 S.S. or  
Hastelloy C-276**

Model 3600 retractable process probes employ sensing elements made from wire, strip, or small diameter tubing, formed into a small loop. Alloys and element styles normally available are listed in Table 1. Other alloys or element styles may be available subject to material availability.

These probes may be used up to their design temperatures and pressures in organic or inorganic fluids of all types, in the pH range 0-9. Above pH 9 or for other

extremely aggressive service, Model 3500 Probes are recommended. In applications where stainless steel bodies would be subject to failure due to stress cracking or severe pitting, or for probes made of specific materials, contact the factory for specific information before ordering. Probes specified by a complete probe order number include both a stuffing box for mounting and a replaceable measuring element insert. The insert may be ordered separately as needed.

## Element Availability:

UNS NUMBER	ALLOY CODE	ALLOY	S4	S8	T4	T8	W40	W80	UNS NUMBER	ALLOY CODE	ALLOY	S4	S8	T4	T8	W40	W80
K03005	*****	PIPE GRADE CARBON STEEL	•	•	•R	•R	•R	•R	N06600	8057	INCONEL 600	•				•	
K03005	8005	4130 CARBON STEEL					•		N06625	8058	INCONEL 625					•	
G41300	8013	304 S.S.	•		•	•R	•R	•	C71500	8060	Cu/N 70/30 CDA #715				•	•	
S30400	8014	304L S.S.			•	•R	•R	•R	C11000	8061	COPPER 110 ETP	•	•	•	•	•	
S30403	8018	310 S.S.					•		C70610	8062	Cu/N 90/10 CDA #706			•		•	
S31600	8020	316 S.S.	•		•R	•R	•R	•R	C44300	8073	ADMIRALTY BRASS #443	•	•		•	•	
S31603	8021	316L S.S.			•R	•R	•R	•R	A95154	8078	ALUMINUM 5154-0					•	
S31700	8022	317 S.S.					•		A96061	8079	ALUMINUM 6061-0				•	•	
S32100	8024	321 S.S.	•		•	•	•R	•	A91100	8080					•	•	
S41000	8030	410 S.S.			•		•R		N10276	8088	Hastelloy C-275			•		•R	
S50200	8040	502 S.S. (5% CR 1/2% MO)				•	•		N10665	8086	Hastelloy B2					•	
S50400	8046	9% Cr 1% Mo					R		N06007	8089	Hastelloy G					•	
N08020	8043	CARPENTER 20CB3			•		•		R50400	8093	Titanium Grade 2 & 4			•		•R	
*****	8047	1% Cr 1/2% Mo					•		K03101	8101						•	
N02200	8048	NICKEL 200			•		•	•	C44300	8073	ADMIRALTY BRASS #443	•	•		•	•	
N04400	8054	MONEL 400	•		•		•R										
		INCHES USEFUL RANGE (mm)	.001 .025	.002 .051	.002 .051	.004 .100	.010 .250	.020 .510			INCHES USEFUL RANGE (mm)	.001 .025	.002 .051	.002 .051	.004 .100	.010 .250	.020 .510

• Model 3600

R Model 3600G

Table 1

Other element alloys or styles may be supplied subject to material availability.

## Ordering Information:

Model	Retractable Corrosometer Probes
3600	Complete Probe Assembly – Teflon/Ceramic
3601	Model 3600 Replacement Insert – Teflon/Ceramic
3600G	Complete Probe Assembly – Glass Seal
3601G	Model 3600G Replacement Insert – Glass Seal
<b>Code</b>	<b>Element Form: See Table 1 for Availability</b>
S4	Strip Loop, 4 mil thickness (1 mil useful probe life) (Model 3600/3601 only)
S8	Strip Loop, 8 mil thickness (2 mil useful probe life) (Model 3600/3601 only)
T4	Tube Loop, 4 mil thickness (2 mil useful probe life)
T8	Tube Loop, 8 mil thickness (4 mil useful probe life)
W40	Wire Loop, 40 diameter (10 mil useful probe life)
W80	Wire Loop, 80 mil diameter (20 mil useful probe life)
<b>Code</b>	<b>Element Alloy: See Table 1 for Availability</b>
XXXXXX	Enter UNS Number
<b>Code</b>	<b>Order Length</b>
18	18 inches
24	24 inches
30	30 inches
36	36 inches
<b>Code</b>	<b>Safety Clamp (Not an option for Model 3601)</b>
0	Not Included
1	Safety Clamp Installed
<b>Code</b>	<b>Shield</b>
1	Standard (Liquids to 20 ft/sec, Gases to 60 ft/sec)
2	High Velocity/Erosion (Liquids to 50 ft/sec, Gases to 150 ft/sec)
3	Coupon Holding (Liquids to 20 ft/sec, Gases to 60 ft/sec)
<b>Code</b>	<b>Body and Stuffing Box Material</b>
0	316 Stainless Steel
1	Hastelloy C-276
<b>3600G</b>	<b>W40</b>
<b>K03005</b>	<b>18</b>
<b>1</b>	<b>1</b>
<b>0</b>	<b>0</b>
<b>3601G</b>	<b>W40</b>
<b>K03005</b>	<b>18</b>
<b>1</b>	<b>1</b>
<b>0</b>	<b>0</b>

Unit Weight: Probe Assembly With Safety Clamp – 7lbs./3.18 kg.

Insert Only: 2.5 lbs./1.13kg.



Rohrback Cosasco Systems, Inc.  
 11841 East Smith Avenue  
 Santa Fe Springs, CA 90670, USA  
 Tel: (1) 562-949-0123 Fax: (1) 562-949-3065  
 US Toll Free: 800-635-6898  
 E-Mail: [sales@cosasco.com](mailto:sales@cosasco.com)  
 Web Site: <http://www.cosasco.com>



ISO 9001:2000  
 Certificate No. FM 10694