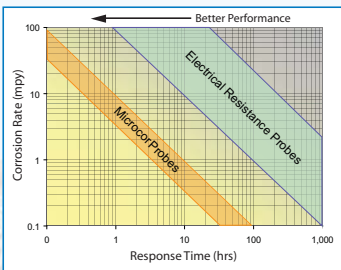


# MICROCOR SYSTEMS

Rapid Monitoring of Corrosion Rates





**Performance**

*Microcor responds 50 to 100 times faster than conventional ER techniques*

Corrosion is an expensive, potentially disastrous phenomenon, and the leading cause of process equipment and piping failures. Companies pay billions of dollars annually in damages, clean-up, and down time. Rohrback Cosasco Systems (RCS) developed Microcor® in response to the need to rapidly, safely, and accurately determine corrosion changes,

The result is a patented technology that combines the rapid response of linear polarization resistance (LPR) and the universal applicability of ER.

Microcor Systems operates in any process environment — in conductive and non-conductive liquids, gases, single and multiphase flows, soils and concrete. Short-term changes in corrosion rate, which would be undetectable with conventional techniques, are clearly visible using Microcor. This raises corrosion measurement to the level of

a true process variable ideal for process and pipeline monitoring, process control, and inhibitor evaluations. Coupled with the ICMS3™ Corrosion Management Server, corrosion rate data is correlated with other process parameters and inhibitor injections to drive down operating costs and optimize plant performance.

A significant corrosion upset, of say, 10 mpy on a typical ER probe with a 5 mil span requires nearly 3 days to be detected. With the same probe span, a Microcor system responds in just 50 minutes. Microcor saves you money by saving you time. Inhibitor evaluation times are greatly reduced and corrective actions can be taken before significant damage occurs.

Because Microcor technology measures physical metal loss, it is useable in virtually any environment as distinct from electrochemical methods that may only be used in aqueous environments.

# THE MOST SIGNIFICANT ADVANCEMENT IN CORROSION MONITORING IN DECADES

In keeping with RCS's tradition of innovation, RCS recently introduced the Microcor Wireless Transmitter (MWT). The MWT uses the same Microcor patented technology, with the additional benefits of wireless communication. Each MWT will work as a node in a self-organizing mesh network to ensure consistent delivery of data. Unlike many approaches to in-plant wireless systems which require direct line-of-sight between the instrument and the communications gateway, the RCS approach ensures network integrity by allowing MWT's to communicate through any other transmitter in the network. The MWT provides the operator with both lower installation costs and maximum versatility.



Microcor Wireless Transmitter



# MICROCOR'S FIELD-PROVEN QUALITY AND RELIABILITY



Microcor Field Location

Short-term changes in corrosion rate, which would be undetectable with conventional techniques, are clearly visible using Microcor



Probes

*Microcor Probes are available in fixed, retrievable, and retractable styles, and in flush or tubular geometries.*

There is no better recommendation than in-the-field success.

Microcor Systems:

- Operate in any environment, even sour service
- Increase the speed of response and give "real-time" monitoring
- Significantly reduce inhibitor evaluation time
- Allow corrective actions to be taken expeditiously, improving asset management
- Allow detection of corrosion upsets in batch processes with short cycle times
- Rapidly detect even low corrosion in systems with little or no corrosion allowance

RCS has built a proud reputation over the years for quality and reliability.

Additionally, we consider your safety a priority and incorporate this need into everything from our intrinsically safe portable instruments to our explosion-proof transmitters and data loggers.

Microcor Systems are adaptable and flexible. To meet your specific needs, two

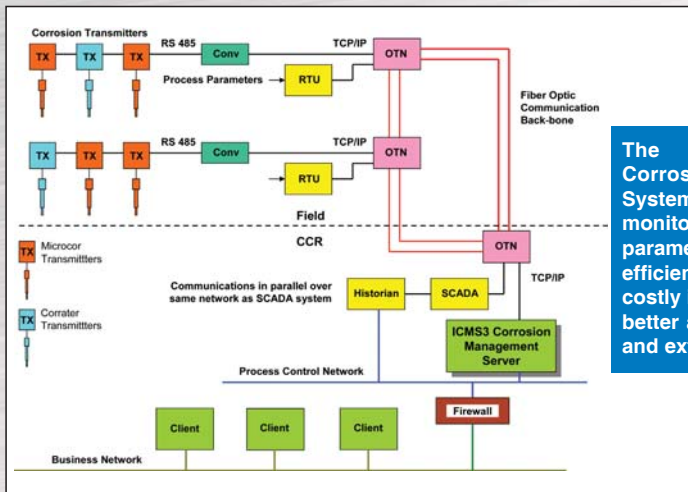
software package options are available, plus the Microcor Intelligent Interface Unit:

- **ICMS3** software provides complete corrosion management, where corrosion rate data can be plotted in real time and correlated with related process variables such as temperature, pressure, pH, dissolved oxygen and inhibitor concentration.
- **Microcor Tools Software**, a low-cost option for smaller scale systems, is available for continuous on-line operation or for gathering of data from the Microcor data-logging system.
- **Microcor Intelligent Interface Unit**, for direct conversion of metal loss and computed corrosion rate into industry standard protocols for interfacing other systems.



Server

*ICMS3 Corrosion Management Server integrates data acquisition from corrosion monitors and process computers.*



The Microcor Online Corrosion Monitoring System treats corrosion monitoring as a process parameter enabling more efficient management of costly inhibitors, allowing better asset management and extending plant life

Typical configuration of a complete Microcor Online Corrosion Monitoring System

## Other Microcor® Equipment



Microcor Transmitter and Data Logger



MK 9300 (Microcor Portable Test System)



Data Logger Data Transfer Unit

Please contact us for more information about our systems and services:



**RCS Corporate Headquarters**  
11841 East Smith Avenue  
Santa Fe Springs, CA 90670 USA  
Tel: + (1) 562-949-0123  
Fax: + (1) 562-949-3065  
Toll Free in the USA: 800-635-6898

**RCS Sales Locations**  
Santa Fe Springs, CA, USA  
+1-562-949-0123  
Houston, Texas, USA  
Tel: +1-281-219-8200

Aberdeen, UK  
Tel: +44 (0) 1224 825500  
Caracas, Venezuela  
Tel: +58 212 7712301



ISO 9001:2000  
Certificate No. FM 10694

e-mail: [sales@rohrbackcosasco.com](mailto:sales@rohrbackcosasco.com) • [www.rohrbackcosasco.com](http://www.rohrbackcosasco.com)