

PRODUCT CERTIFICATIONS: PLEASE REFER TO MWT-3905

NOTES:

Microcor[®] Data-Logger, MWT-3905-MDL



Rohrback Cosasco Systems, Inc.

© 2011 Rohrback Cosasco Systems, Inc. All rights reserved.

Microcor® is a registered trademark of Rohrback Cosasco Systems, Inc.

No part of this manual may be reproduced or transmitted in any form or by any means, electronic or mechanical, including photocopying and recording, for any purpose, without the express written permission of Rohrback Cosasco Systems, Inc.

Rohrback Cosasco Systems, Inc.

11841 East Smith Avenue,
Santa Fe Springs, CA 90670
USA

Phone: 800-635-6898

Phone: 562-949-0123

Fax: 562-949-3065

Website: www.Cosasco.com

Sales Email: Sales@Cosasco.com

General Email: RCS@Cosasco.com

STEP 4: VERIFY OPERATION

Operation can be verified with the handheld device, or through the computer software.

Handheld Device

Check the Status of the connection with the handheld device. Refer to the handheld device documentation for more details.

Computer Software

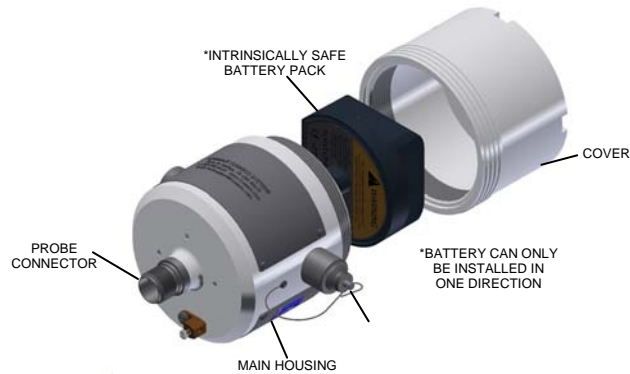
Check the status of the connection through the software interface. Refer to the computer software documentation for more details.

Troubleshooting

If the device is not operating properly, refer to the troubleshooting section of the MWT-3905-MDL Reference Manual.

STEP 2: CONNECT THE POWER MODULE

Power Module (RCS P/N 748400) is intrinsically safe and may be connected/disconnected in a hazardous location.



STEP 3: CONFIGURE THE DATA-LOGGER

To configure the data-logger, connect the handheld device to the data-logger through the data port. Refer to the MWT-3905-MDL Reference Manual to set Data-Logger configurations. Alternatively, the computer software may be used to configure the Data-Logger.



**Configuration for hazardous/non-hazardous locations
(computer software may only be used in a non-hazardous location).**

STEP 1: MOUNT THE DATA-LOGGER

The Microcor® Data-Logger can be installed on the top, side or bottom of the line according to the probe installation. Choose the best installation configuration that corresponds to the location of the probe.

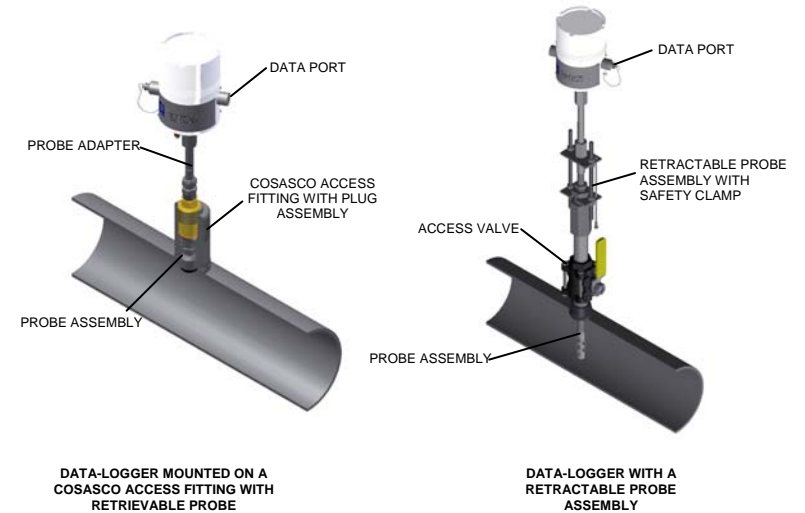
Grounding

A 8 to 14 AWG grounding wire can be attached to the data-logger at the grounding lug. Connect the ground wire to earth ground per local electrical code.

Direct Probe Mounting

Top of the Line

1. Attach connector and tighten connector nut to mount the data-logger to the probe adapter.



Side of the Line

1. Attach connector and tighten connector nut to mount the data-logger to the probe adapter.



DATA-LOGGER MOUNTED ON THE SIDE OF THE PIPE

Bottom of the Line

1. Attach connector and tighten connector nut to mount the data-logger to the probe adapter.



DATA-LOGGER MOUNTED ON UNDERSIDE OF PIPE

Optional Remote Mounting (Bottom of the Line shown)

1. Secure the data-logger to the remote mounting post using appropriate accessories.
2. Attach connector and tighten connector nut of the optional flexible cable to the probe adapter and attach the other end to the data-logger.



DATA-LOGGER MOUNTED IN REMOTE LOCATION

RCS Mounting Accessories

